

Loyd One Emission Aplique

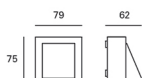


Descripción

Aplique IP54 Loyd One Emission LED 2.1W 3000K ON-OFF Negro 96lm

	Acabado	Material
Estructura	Negro	Aluminio
Difusor	Transparente	Cristal

IP54
 Check Photometric file
 20



CARACTERÍSTICAS TÉCNICAS

Fuente de luz

Fuente de luz: LED CREE
 Potencia (W): 2.1W
 Consumo total (W): 3.4
 Temperatura de color: Blanco cálido - 3000K
 CRI: 80
 Riesgo fotobiológico: RG2
 Lumens reales: 96
 Nº Leds: 1
 Lm/W reales: 28
 Vida útil: 36.000h L70B30
 Bin / Grup: 7C1/7B4
 MacAdam steps: 3
 UGR: 10
 Bombilla recomendada: LED

EQUIPO

Marca: SINOBASE
 Equipo incluido: Si, electrónico
 Voltaje / Frecuencia: 100-240V/50-60Hz
 Factor de potencia: 0.40
 Protocolo de regulación: ON-OFF

Luminaria

Garantía: 5 Años

Logística

Eficiencia energética: LED A++
 EAN: 8435381493851
 Peso neto (Kg): 0.3
 Peso en Kg (embalado): 0.35
 Box: 85 x 70 x 85
 Masterbox: 20

El acabado de la fotografía puede no coincidir con el de la referencia. Para identificar el real ver descripción del acabado.

Luminaire

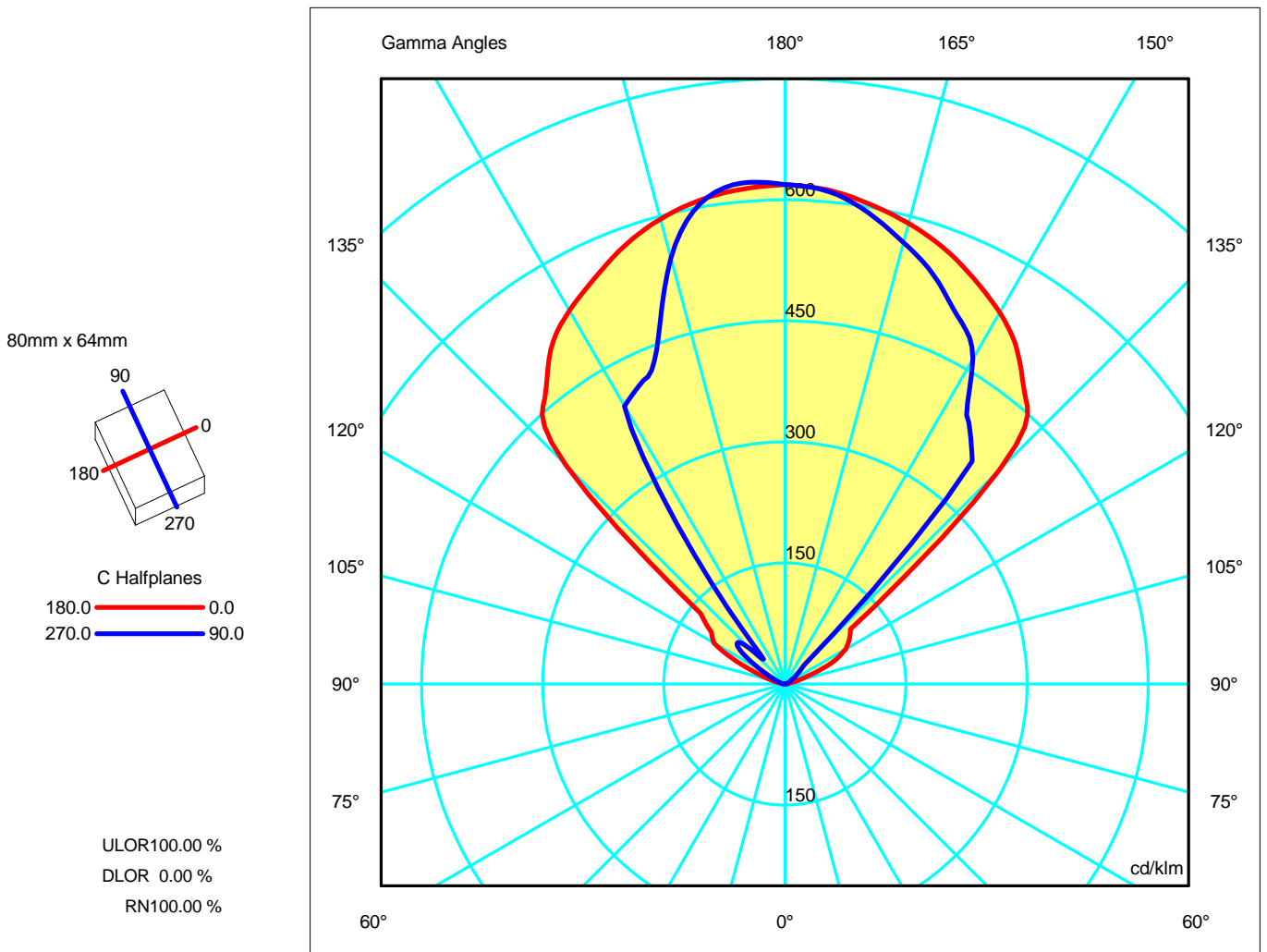
Code PX-0395-NEG
Name Aplique led

Measur.

Code PX-0395-NEG
Name Aplique led

Luminaire Flux	96.36 lm	Luminaire Power	0.00 W	Efficacy	---	Efficiency	100.00%
Lamps Flux	96.36 lm	Maximum value	623.06 cd/klm	Position	C=270.00 G=175.00	CG	Asymmetrical
Rectangular Luminaire		Length	80 mm	Width	64 mm	Height	76 mm
Rectangular Luminous Area		Length	28 mm	Width	38 mm	Height	0 mm
Horizontal Luminous Area		0.001064 m2		Emitting area on Plane 180°		0.000000 m2	
Emitting area on Plane 0°		0.000000 m2		Emitting area on Plane 270°		0.000000 m2	
Emitting area on Plane 90°		0.000000 m2		Glare area at 76°		0.000257 m2	
Coordinate system		CG		Symmetry Type		Asymmetrical	
Date		07-09-2017		Maximum Gamma Angle		180	
Measurement Distance		0.00		Measurement Flux		96.36 lm	
Operator		LEDS		Source Voltage [V]			
Temperature		25.00 °C		Source current [A]			
Humidity		60.00 %		Photocell			
Notes							

Line	Code	Luminaire Lamps	Flux [lm]	Pow. [W]	Q.ty
	PX-0395-NEG	Name PX-0395-NEG	96.36	0.00	1
C.I.E.	0 0 0 0 100	D DIN 5040	--		
F UTE	1.00 T	B NBN	BZ 10		



Luminaire
 Code PX-0395-NEG
 Name Applique led
Measuram.
 Code PX-0395-NEG
 Name Applique led

Luminaire Flux	96.36 lm	Luminaire Power	0.00 W	Efficacy	---	Efficiency	100.00%
Lamps Flux	96.36 lm	Maximum value	623.06 cd/klm	Position	C=270.00 G=175.00	CG Asymmetrical	

Luminous Intensity Table cd/klm Table 1/1

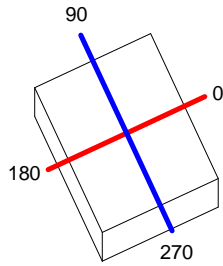
	C 0.00	C 15.00	C 30.00	C 45.00	C 60.00	C 75.00	C 90.00	C 105.00	C 120.00	C 135.00	C 150.00	C 165.00
G 0.0	0.00	0.00	0.00	0.00	0.00	0.00	0.00	0.00	0.00	0.00	0.00	0.00
G 5.0	0.00	0.00	0.00	0.00	0.00	0.00	0.00	0.00	0.00	0.00	0.00	0.00
G 10.0	0.00	0.00	0.00	0.00	0.00	0.00	0.00	0.00	0.00	0.00	0.00	0.00
G 15.0	0.00	0.00	0.00	0.00	0.00	0.00	0.00	0.00	0.00	0.00	0.00	0.00
G 20.0	0.00	0.00	0.00	0.00	0.00	0.00	0.00	0.00	0.00	0.00	0.00	0.00
G 25.0	0.00	0.00	0.00	0.00	0.00	0.00	0.00	0.00	0.00	0.00	0.00	0.00
G 30.0	0.00	0.00	0.00	0.00	0.00	0.00	0.00	0.00	0.00	0.00	0.00	0.00
G 35.0	0.00	0.00	0.00	0.00	0.00	0.00	0.00	0.00	0.00	0.00	0.00	0.00
G 40.0	0.00	0.00	0.00	0.00	0.00	0.00	0.00	0.00	0.00	0.00	0.00	0.00
G 45.0	0.00	0.00	0.00	0.00	0.00	0.00	0.00	0.00	0.00	0.00	0.00	0.00
G 50.0	0.00	0.00	0.00	0.00	0.00	0.00	0.00	0.00	0.00	0.00	0.00	0.00
G 55.0	0.00	0.00	0.00	0.00	0.00	0.00	0.00	0.00	0.00	0.00	0.00	0.00
G 60.0	0.00	0.00	0.00	0.00	0.00	0.00	0.00	0.00	0.00	0.00	0.00	0.00
G 65.0	0.00	0.00	0.00	0.00	0.00	0.00	0.00	0.00	0.00	0.00	0.00	0.00
G 70.0	0.00	0.00	0.00	0.00	0.00	0.00	0.00	0.00	0.00	0.00	0.00	0.00
G 75.0	0.00	0.00	0.00	0.00	0.00	0.00	0.00	0.00	0.00	0.00	0.00	0.00
G 80.0	0.00	0.00	0.00	0.00	0.00	0.00	0.00	0.00	0.00	0.00	0.00	0.00
G 85.0	0.00	0.00	0.00	0.00	0.00	0.00	0.00	0.00	0.00	0.00	0.00	0.00
G 90.0	0.02	0.02	0.02	0.02	0.01	0.02	0.02	0.02	0.01	0.01	0.01	0.02
G 95.0	0.81	0.54	0.38	0.26	0.21	0.19	0.21	0.22	0.23	0.26	0.40	0.45
G100.0	5.03	3.92	2.13	1.49	1.24	1.27	1.27	1.36	1.39	1.54	2.08	3.50
G105.0	15.10	13.41	5.28	3.07	2.48	2.35	2.27	2.41	2.62	3.20	4.94	12.21
G110.0	33.24	32.34	12.44	5.42	3.81	3.43	3.31	3.49	4.03	5.71	10.85	31.31
G115.0	66.08	63.46	32.72	8.74	5.89	5.28	4.98	5.35	6.16	9.37	26.02	66.47
G120.0	86.80	89.99	59.52	14.23	8.87	7.93	8.02	8.11	9.44	15.46	57.51	94.88
G125.0	97.49	88.46	63.13	35.74	15.06	12.74	13.63	12.71	15.08	29.52	72.18	97.16
G130.0	105.61	143.86	311.12	295.95	25.34	20.21	20.66	20.38	25.22	273.00	314.36	213.04
G135.0	375.35	382.19	386.51	352.38	325.91	99.91	32.77	74.05	294.14	287.99	390.49	380.65
G140.0	463.31	457.84	438.79	417.17	372.75	363.95	360.45	363.64	369.94	418.13	443.67	457.34
G145.0	502.32	497.73	482.07	461.32	440.25	411.03	396.74	410.39	439.02	462.17	479.52	499.82
G150.0	531.65	526.60	515.07	500.15	485.89	475.70	465.21	473.36	481.98	501.18	516.69	531.25
G155.0	554.13	551.67	542.90	532.39	519.82	510.82	504.33	509.33	520.58	535.63	544.83	554.62
G160.0	574.90	572.53	567.83	559.72	550.82	544.54	539.05	542.88	549.42	559.12	570.58	578.82
G165.0	591.03	589.86	585.60	580.19	575.61	571.36	566.60	567.45	572.54	581.21	590.00	595.59
G170.0	603.92	603.69	600.85	599.13	597.34	594.25	593.05	593.05	596.29	599.97	603.95	606.96
G175.0	614.57	612.01	612.01	611.63	612.22	612.10	612.86	611.04	611.78	612.98	615.05	615.40
G180.0	618.85	618.85	618.85	618.85	618.85	618.85	618.85	618.85	618.85	618.85	618.85	618.85

	C 180.00	C 195.00	C 210.00	C 225.00	C 240.00	C 255.00	C 270.00	C 285.00	C 300.00	C 315.00	C 330.00	C 345.00
G 0.0	0.00	0.00	0.00	0.00	0.00	0.00	0.00	0.00	0.00	0.00	0.00	0.00
G 5.0	0.00	0.00	0.00	0.00	0.00	0.00	0.00	0.00	0.00	0.00	0.00	0.00
G 10.0	0.00	0.00	0.00	0.00	0.00	0.00	0.00	0.00	0.00	0.00	0.00	0.00
G 15.0	0.00	0.00	0.00	0.00	0.00	0.00	0.00	0.00	0.00	0.00	0.00	0.00
G 20.0	0.00	0.00	0.00	0.00	0.00	0.00	0.00	0.00	0.00	0.00	0.00	0.00
G 25.0	0.00	0.00	0.00	0.00	0.00	0.00	0.00	0.00	0.00	0.00	0.00	0.00
G 30.0	0.00	0.00	0.00	0.00	0.00	0.00	0.00	0.00	0.00	0.00	0.00	0.00
G 35.0	0.00	0.00	0.00	0.00	0.00	0.00	0.00	0.00	0.00	0.00	0.00	0.00
G 40.0	0.00	0.00	0.00	0.00	0.00	0.00	0.00	0.00	0.00	0.00	0.00	0.00
G 45.0	0.00	0.00	0.00	0.00	0.00	0.00	0.00	0.00	0.00	0.00	0.00	0.00
G 50.0	0.00	0.00	0.00	0.00	0.00	0.00	0.00	0.00	0.00	0.00	0.00	0.00
G 55.0	0.00	0.00	0.00	0.00	0.00	0.00	0.00	0.00	0.00	0.00	0.00	0.00
G 60.0	0.00	0.00	0.00	0.00	0.00	0.00	0.00	0.00	0.00	0.00	0.00	0.00
G 65.0	0.00	0.00	0.00	0.00	0.00	0.00	0.00	0.00	0.00	0.00	0.00	0.00
G 70.0	0.00	0.00	0.00	0.00	0.00	0.00	0.00	0.00	0.00	0.00	0.00	0.00
G 75.0	0.00	0.00	0.00	0.00	0.00	0.00	0.00	0.00	0.00	0.00	0.00	0.00
G 80.0	0.00	0.00	0.00	0.00	0.00	0.00	0.00	0.00	0.00	0.00	0.00	0.00
G 85.0	0.00	0.00	0.00	0.00	0.00	0.00	0.00	0.00	0.00	0.00	0.00	0.00
G 90.0	0.02	0.02	0.02	0.03	0.07	0.04	0.05	0.05	0.08	0.05	0.04	0.03
G 95.0	0.80	0.73	0.69	0.68	0.67	0.67	0.58	0.53	0.43	0.53	0.57	0.84
G100.0	4.75	3.99	3.30	3.02	2.77	2.77	2.72	2.81	2.60	2.89	3.21	3.88
G105.0	15.05	11.40	7.39	6.37	5.67	5.91	5.73	5.83	5.53	6.03	7.20	10.12
G110.0	32.43	26.36	13.82	11.23	10.24	10.32	10.02	10.33	10.44	10.05	12.67	25.46
G115.0	65.30	57.91	22.00	18.68	20.00	17.68	17.28	18.10	20.23	16.47	19.61	55.63
G120.0	101.94	95.86	34.91	31.05	39.51	34.43	31.79	36.00	42.46	32.56	26.87	80.52
G125.0	111.45	102.79	52.75	38.32	61.44	62.50	60.03	65.22	64.24	38.62	38.46	79.85
G130.0	136.71	224.06	299.32	34.48	53.83	73.95	77.82	74.78	56.45	32.60	285.62	227.00
G135.0	383.88	400.68	333.49	196.28	42.85	58.05	63.89	58.29	45.26	116.42	324.42	385.40
G140.0	463.10	465.70	373.68	348.93	139.28	45.13	46.80	44.24	92.85	343.73	360.71	449.66
G145.0	505.91	507.78	418.77	379.03	374.12	306.15	195.20	284.94	373.74	375.28	403.61	498.55
G150.0	534.19	534.55	484.43	409.68	396.51	396.51	397.70	397.59	398.84	406.91	468.10	533.03
G155.0	556.17	561.61	542.52	463.40	429.96	419.68	415.21	420.61	430.11	456.20	534.46	563.45
G160.0	578.76	586.71	578.00	545.01	487.50	464.45	458.51	460.94	482.18	536.71	575.78	584.66
G165.0	596.56	602.52	602.25	591.47	571.28	554.61	546.50	553.89	569.23	591.00	601.36	599.04
G170.0	608.83	611.65	615.69	615.40	611.72	608.59	604.77	605.99	609.38	614.15	615.14	609.57
G175.0	615.61	616.05	619.17	621.16	622.37	622.62	623.06	622.42	622.59	620.79	618.68	616.34
G180.0	618.85	618.85	618.85	618.85	618.85	618.85	618.85	618.85	618.85	618.85	618.85	618.85

Luminaire
 Code PX-0395-NEG
 Name Aplique led
Measur.
 Code PX-0395-NEG
 Name Aplique led

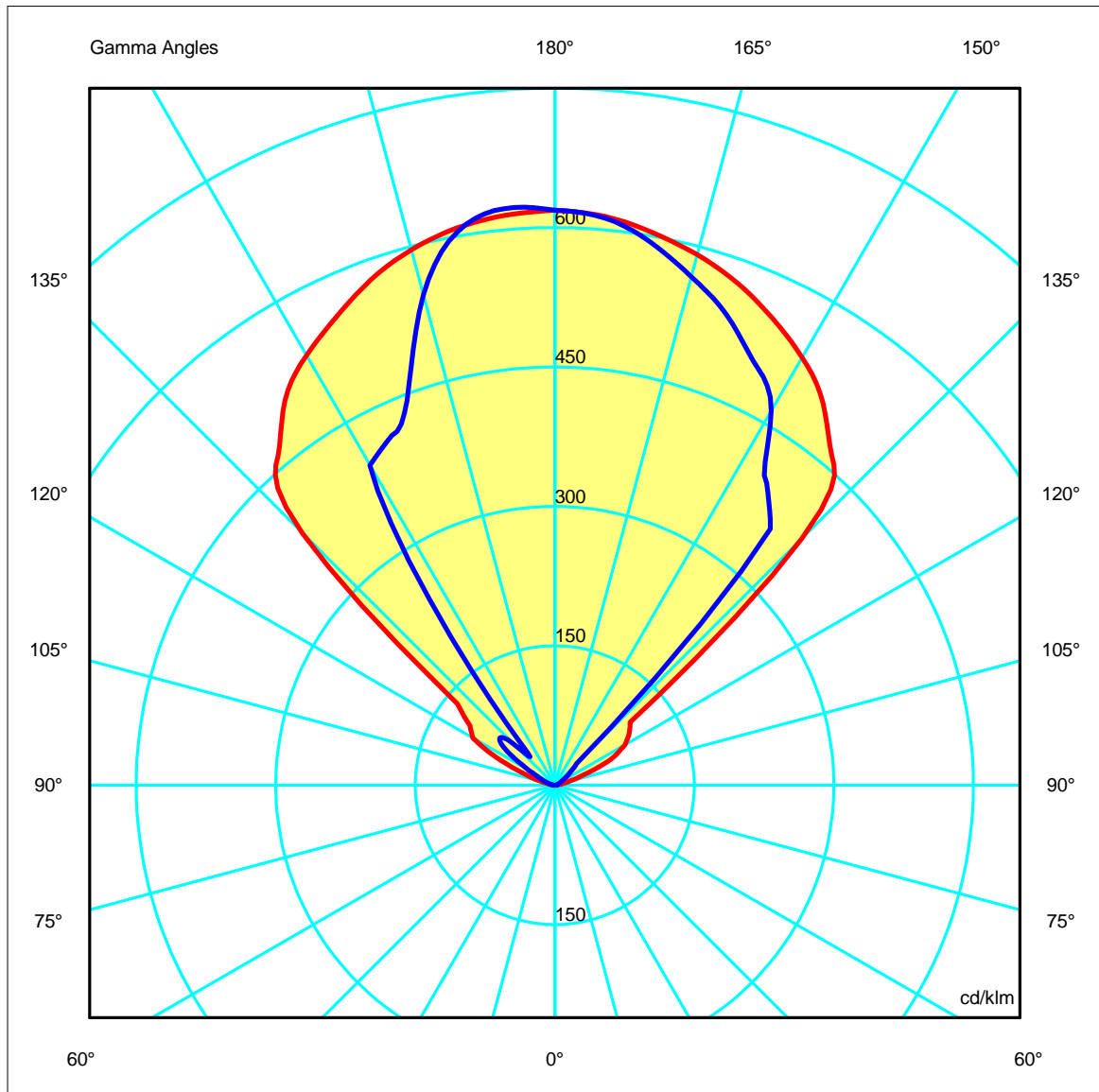
Luminaire Flux	96.36 lm	Luminaire Power	0.00 W	Efficacy	---	Efficiency	100.00%
Lamps Flux	96.36 lm	Maximum value	623.06 cd/klm	Position	C=270.00 G=175.00	CG	Asymmetrical

80mm x 64mm



C Halfplanes

180.0 ——— 0.0
 270.0 ——— 90.0



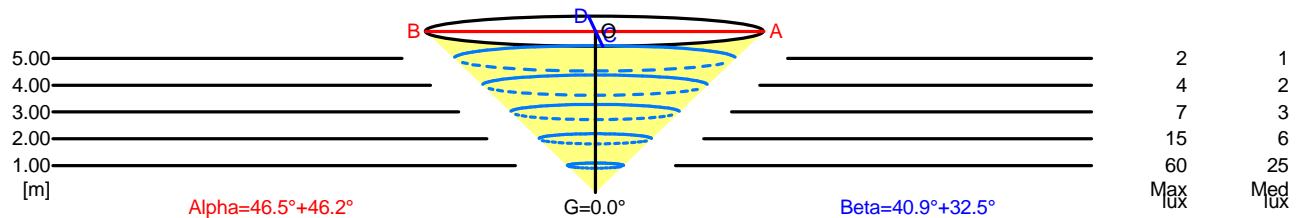
Luminaire
 Code PX-0395-NEG
 Name Aplique led
Measurement
 Code PX-0395-NEG
 Name Aplique led

Luminaire Flux	96.36 lm	Luminaire Power	0.00 W	Efficacy	---	Efficiency	100.00%
Lamps Flux	96.36 lm	Maximum value	623.06 cd/klm	Position	C=270.00 G=175.00	CG	Asymmetrical

Width at 50.00 % of Max Intensity

H[m]	1.00	2.00	3.00	4.00	5.00	H[m]	1.00	2.00	3.00	4.00	5.00
OA	1.04	2.09	3.13	4.18	5.22	OC	0.87	1.73	2.60	3.47	4.33
OB	1.05	2.11	3.16	4.22	5.27	OD	0.64	1.27	1.91	2.55	3.19

	Luminous Intensities [cd/klm]									
	0	5	15	25	35	45	55	65	75	85
OA	59.63	59.22	56.95	53.40	48.40	36.17	9.39	6.37	1.45	0.08
OB	59.63	59.32	57.48	53.59	48.75	36.99	10.74	6.29	1.45	0.08
OC	59.63	59.06	54.60	48.60	38.23	3.16	1.31	0.48	0.22	0.02
OD	59.63	60.04	52.66	40.01	18.81	6.16	5.78	1.67	0.55	0.06



5.00	10.50	2	1	
4.00	8.40	4	2	
3.00	6.30	7	3	
2.00	4.20	15	6	
1.00	2.10	60	25	
H[m]	D[m]	Max lux	Med lux	

5.00	7.52	2	1	
4.00	6.02	4	2	
3.00	4.51	7	3	
2.00	3.01	15	6	
1.00	1.50	60	25	
H[m]	D[m]	Max lux	Med lux	

Luminaire
 Code PX-0395-NEG
 Name Aplique led
Measurement
 Code PX-0395-NEG
 Name Aplique led

Luminaire Flux	96.36 lm	Luminaire Power	0.00 W	Efficacy	---	Efficiency	100.00%
Lamps Flux	96.36 lm	Maximum value	623.06 cd/klm	Position	C=270.00 G=175.00	CG	Asymmetrical

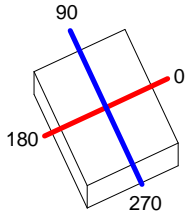
UGR
 S = 0.250

Reflectancies										
Ceiling/Cavity	0.7	0.7	0.5	0.5	0.3	0.7	0.7	0.5	0.5	0.3
Walls	0.5	0.3	0.5	0.3	0.3	0.5	0.3	0.5	0.3	0.3
WorkingPlane	0.2	0.2	0.2	0.2	0.2	0.2	0.2	0.2	0.2	0.2
RoomDimensions	ViewedCrosswise					ViewedEndwise				
x=2H y=2H	< 0	< 0	< 0	< 0	< 0	< 0	< 0	< 0	< 0	< 0
x=2H y=3H	< 0	< 0	< 0	< 0	< 0	< 0	< 0	< 0	< 0	< 0
x=2H y=4H	< 0	< 0	< 0	< 0	< 0	< 0	< 0	< 0	< 0	< 0
x=2H y=6H	< 0	< 0	< 0	< 0	< 0	< 0	< 0	< 0	< 0	< 0
x=2H y=8H	< 0	< 0	< 0	< 0	< 0	< 0	< 0	< 0	< 0	< 0
x=2H y=12H	< 0	< 0	< 0	< 0	< 0	< 0	< 0	< 0	< 0	< 0
x=4H y=2H	< 0	< 0	< 0	< 0	< 0	< 0	< 0	< 0	< 0	< 0
x=4H y=3H	< 0	< 0	< 0	< 0	< 0	< 0	< 0	< 0	< 0	< 0
x=4H y=4H	< 0	< 0	< 0	< 0	< 0	< 0	< 0	< 0	< 0	< 0
x=4H y=6H	< 0	< 0	< 0	< 0	< 0	< 0	< 0	< 0	< 0	< 0
x=4H y=8H	< 0	< 0	< 0	< 0	< 0	< 0	< 0	< 0	< 0	< 0
x=4H y=12H	< 0	< 0	< 0	< 0	< 0	< 0	< 0	< 0	< 0	< 0
x=8H y=4H	< 0	< 0	< 0	< 0	< 0	< 0	< 0	< 0	< 0	< 0
x=8H y=6H	< 0	< 0	< 0	< 0	< 0	< 0	< 0	< 0	< 0	< 0
x=8H y=8H	< 0	< 0	< 0	< 0	< 0	< 0	< 0	< 0	< 0	< 0
x=8H y=12H	< 0	< 0	< 0	< 0	< 0	< 0	< 0	< 0	< 0	< 0
x=12H y=4H	< 0	< 0	< 0	< 0	< 0	< 0	< 0	< 0	< 0	< 0
x=12H y=6H	< 0	< 0	< 0	< 0	< 0	< 0	< 0	< 0	< 0	< 0
x=12H y=8H	< 0	< 0	< 0	< 0	< 0	< 0	< 0	< 0	< 0	< 0

Luminaire
 Code PX-0395-NEG
 Name Applique led
Measur.
 Code PX-0395-NEG
 Name Applique led

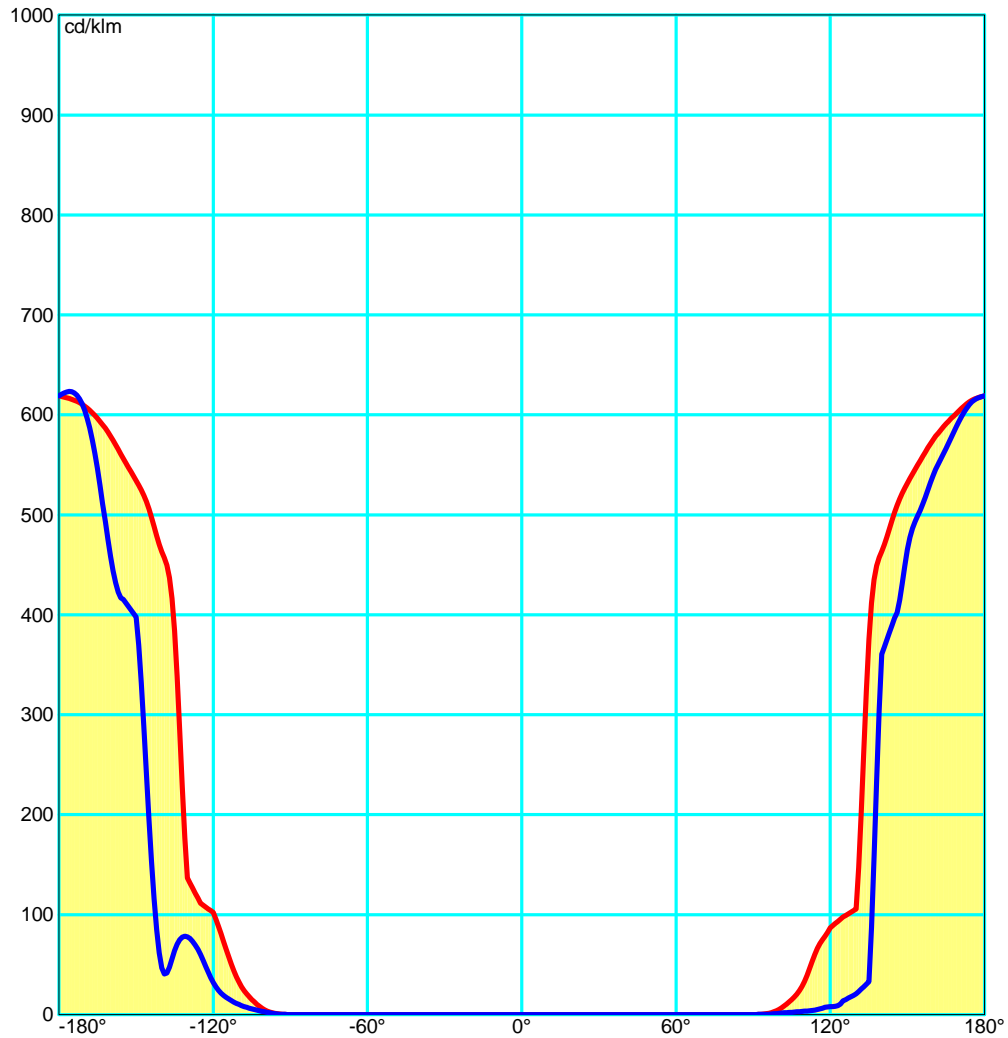
Luminaire Flux	96.36 lm	Luminaire Power	0.00 W	Efficacy	---	Efficiency	100.00%
Lamps Flux	96.36 lm	Maximum value	623.06 cd/klm	Position	C=270.00 G=175.00	CG	Asymmetrical

80mm x 64mm



C Halfplanes

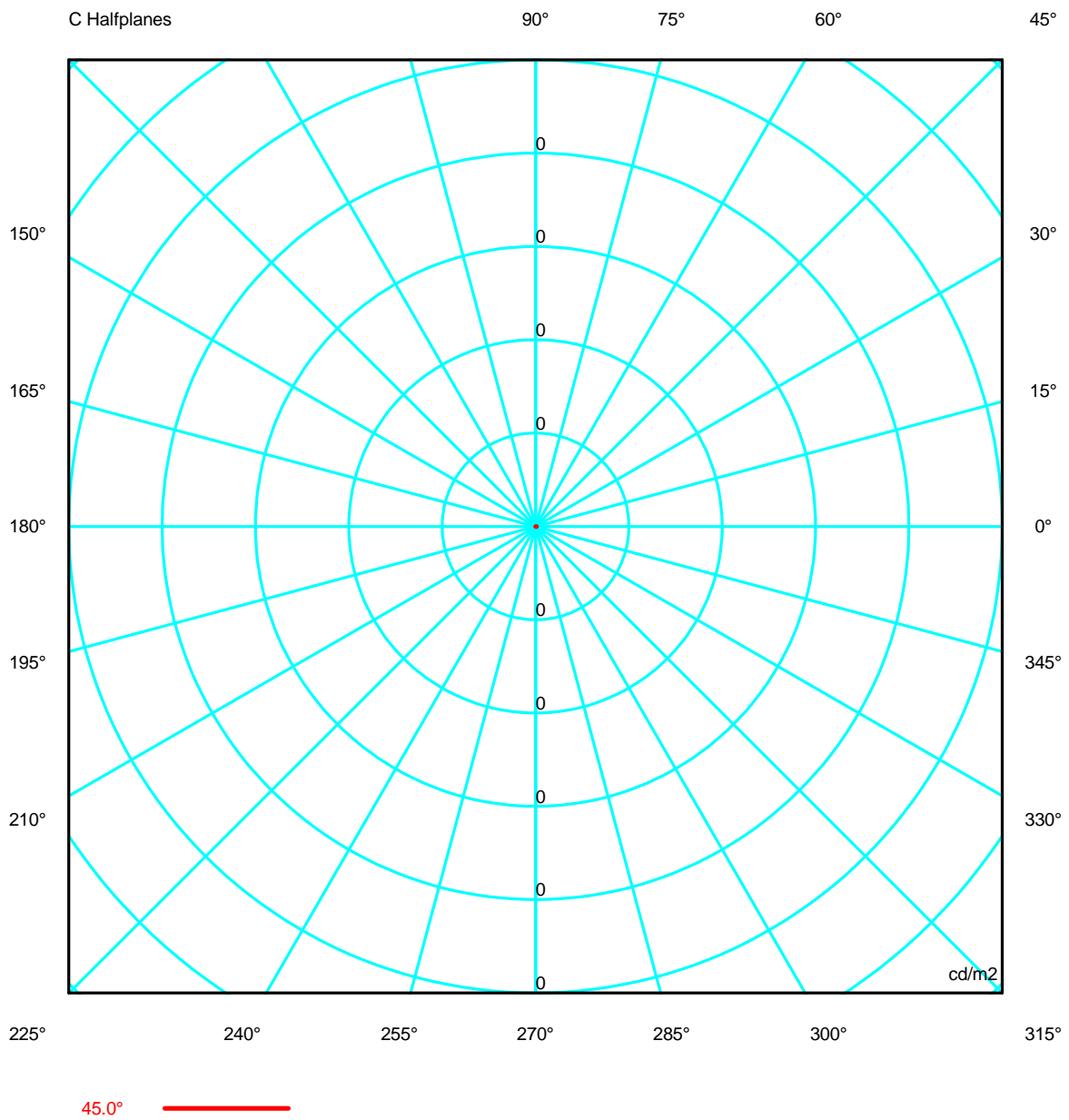
180.0 ——— 0.0
 270.0 ——— 90.0



Luminaire
 Code PX-0395-NEG
 Name Aplique led
Measur.
 Code PX-0395-NEG
 Name Aplique led

Luminaire Flux	96.36 lm	Luminaire Power	0.00 W	Efficacy	---	Efficiency	100.00%
Lamps Flux	96.36 lm	Maximum value	623.06 cd/klm	Position	C=270.00 G=175.00	CG	Asymmetrical

Luminance





Luminaire
 Code PX-0395-NEG
 Name Applique led
Measur.
 Code PX-0395-NEG
 Name Applique led

Luminaire Flux	96.36 lm	Luminaire Power	0.00 W	Efficacy	---	Efficiency	100.00%
Lamps Flux	96.36 lm	Maximum value	623.06 cd/klm	Position	C=270.00 G=175.00	CG	Asymmetrical

Luminance cd/m2 Table 1/3

	C 0.00	C 10.00	C 20.00	C 30.00	C 40.00	C 50.00	C 60.00	C 70.00	C 80.00	C 90.00	C 100.00	C 110.00	C 120.00
G 0.0	0.00	0.00	0.00	0.00	0.00	0.00	0.00	0.00	0.00	0.00	0.00	0.00	0.00
G 5.0	0.00	0.00	0.00	0.00	0.00	0.00	0.00	0.00	0.00	0.00	0.00	0.00	0.00
G 10.0	0.00	0.00	0.00	0.00	0.00	0.00	0.00	0.00	0.00	0.00	0.00	0.00	0.00
G 15.0	0.00	0.00	0.00	0.00	0.00	0.00	0.00	0.00	0.00	0.00	0.00	0.00	0.00
G 20.0	0.00	0.00	0.00	0.00	0.00	0.00	0.00	0.00	0.00	0.00	0.00	0.00	0.00
G 25.0	0.00	0.00	0.00	0.00	0.00	0.00	0.00	0.00	0.00	0.00	0.00	0.00	0.00
G 30.0	0.00	0.00	0.00	0.00	0.00	0.00	0.00	0.00	0.00	0.00	0.00	0.00	0.00
G 35.0	0.00	0.00	0.00	0.00	0.00	0.00	0.00	0.00	0.00	0.00	0.00	0.00	0.00
G 40.0	0.00	0.00	0.00	0.00	0.00	0.00	0.00	0.00	0.00	0.00	0.00	0.00	0.00
G 45.0	0.00	0.00	0.00	0.00	0.00	0.00	0.00	0.00	0.00	0.00	0.00	0.00	0.00
G 50.0	0.00	0.00	0.00	0.00	0.00	0.00	0.00	0.00	0.00	0.00	0.00	0.00	0.00
G 55.0	0.00	0.00	0.00	0.00	0.00	0.00	0.00	0.00	0.00	0.00	0.00	0.00	0.00
G 60.0	0.00	0.00	0.00	0.00	0.00	0.00	0.00	0.00	0.00	0.00	0.00	0.00	0.00
G 65.0	0.00	0.00	0.00	0.00	0.00	0.00	0.00	0.00	0.00	0.00	0.00	0.00	0.00
G 70.0	0.00	0.00	0.00	0.00	0.00	0.00	0.00	0.00	0.00	0.00	0.00	0.00	0.00
G 75.0	0.00	0.00	0.00	0.00	0.00	0.00	0.00	0.00	0.00	0.00	0.00	0.00	0.00
G 80.0	0.00	0.00	0.00	0.00	0.00	0.00	0.00	0.00	0.00	0.00	0.00	0.00	0.00
G 85.0	0.00	0.00	0.00	0.00	0.00	0.00	0.00	0.00	0.00	0.00	0.00	0.00	0.00
G 90.0	0.00	0.00	0.00	0.00	0.00	0.00	0.00	0.00	0.00	0.00	0.00	0.00	0.00



Luminaire
 Code PX-0395-NEG
 Name Applique led
Measur.
 Code PX-0395-NEG
 Name Applique led

Luminaire Flux	96.36 lm	Luminaire Power	0.00 W	Efficacy	---	Efficiency	100.00%
Lamps Flux	96.36 lm	Maximum value	623.06 cd/klm	Position	C=270.00 G=175.00	CG	Asymmetrical

Luminance cd/m2 Table 2/3

	C 130.00	C 140.00	C 150.00	C 160.00	C 170.00	C 180.00	C 190.00	C 200.00	C 210.00	C 220.00	C 230.00	C 240.00	C 250.00
G 0.0	0.00	0.00	0.00	0.00	0.00	0.00	0.00	0.00	0.00	0.00	0.00	0.00	0.00
G 5.0	0.00	0.00	0.00	0.00	0.00	0.00	0.00	0.00	0.00	0.00	0.00	0.00	0.00
G 10.0	0.00	0.00	0.00	0.00	0.00	0.00	0.00	0.00	0.00	0.00	0.00	0.00	0.00
G 15.0	0.00	0.00	0.00	0.00	0.00	0.00	0.00	0.00	0.00	0.00	0.00	0.00	0.00
G 20.0	0.00	0.00	0.00	0.00	0.00	0.00	0.00	0.00	0.00	0.00	0.00	0.00	0.00
G 25.0	0.00	0.00	0.00	0.00	0.00	0.00	0.00	0.00	0.00	0.00	0.00	0.00	0.00
G 30.0	0.00	0.00	0.00	0.00	0.00	0.00	0.00	0.00	0.00	0.00	0.00	0.00	0.00
G 35.0	0.00	0.00	0.00	0.00	0.00	0.00	0.00	0.00	0.00	0.00	0.00	0.00	0.00
G 40.0	0.00	0.00	0.00	0.00	0.00	0.00	0.00	0.00	0.00	0.00	0.00	0.00	0.00
G 45.0	0.00	0.00	0.00	0.00	0.00	0.00	0.00	0.00	0.00	0.00	0.00	0.00	0.00
G 50.0	0.00	0.00	0.00	0.00	0.00	0.00	0.00	0.00	0.00	0.00	0.00	0.00	0.00
G 55.0	0.00	0.00	0.00	0.00	0.00	0.00	0.00	0.00	0.00	0.00	0.00	0.00	0.00
G 60.0	0.00	0.00	0.00	0.00	0.00	0.00	0.00	0.00	0.00	0.00	0.00	0.00	0.00
G 65.0	0.00	0.00	0.00	0.00	0.00	0.00	0.00	0.00	0.00	0.00	0.00	0.00	0.00
G 70.0	0.00	0.00	0.00	0.00	0.00	0.00	0.00	0.00	0.00	0.00	0.00	0.00	0.00
G 75.0	0.00	0.00	0.00	0.00	0.00	0.00	0.00	0.00	0.00	0.00	0.00	0.00	0.00
G 80.0	0.00	0.00	0.00	0.00	0.00	0.00	0.00	0.00	0.00	0.00	0.00	0.00	0.00
G 85.0	0.00	0.00	0.00	0.00	0.00	0.00	0.00	0.00	0.00	0.00	0.00	0.00	0.00
G 90.0	0.00	0.00	0.00	0.00	0.00	0.00	0.00	0.00	0.00	0.00	0.00	0.00	0.00



Luminaire

Code PX-0395-NEG
Name Applique led

Measur.

Code PX-0395-NEG
Name Applique led

Luminaire Flux	96.36 lm	Luminaire Power	0.00 W	Efficacy	---	Efficiency	100.00%
Lamps Flux	96.36 lm	Maximum value	623.06 cd/klm	Position	C=270.00 G=175.00	CG	Asymmetrical

Luminance cd/m2 Table 3/3

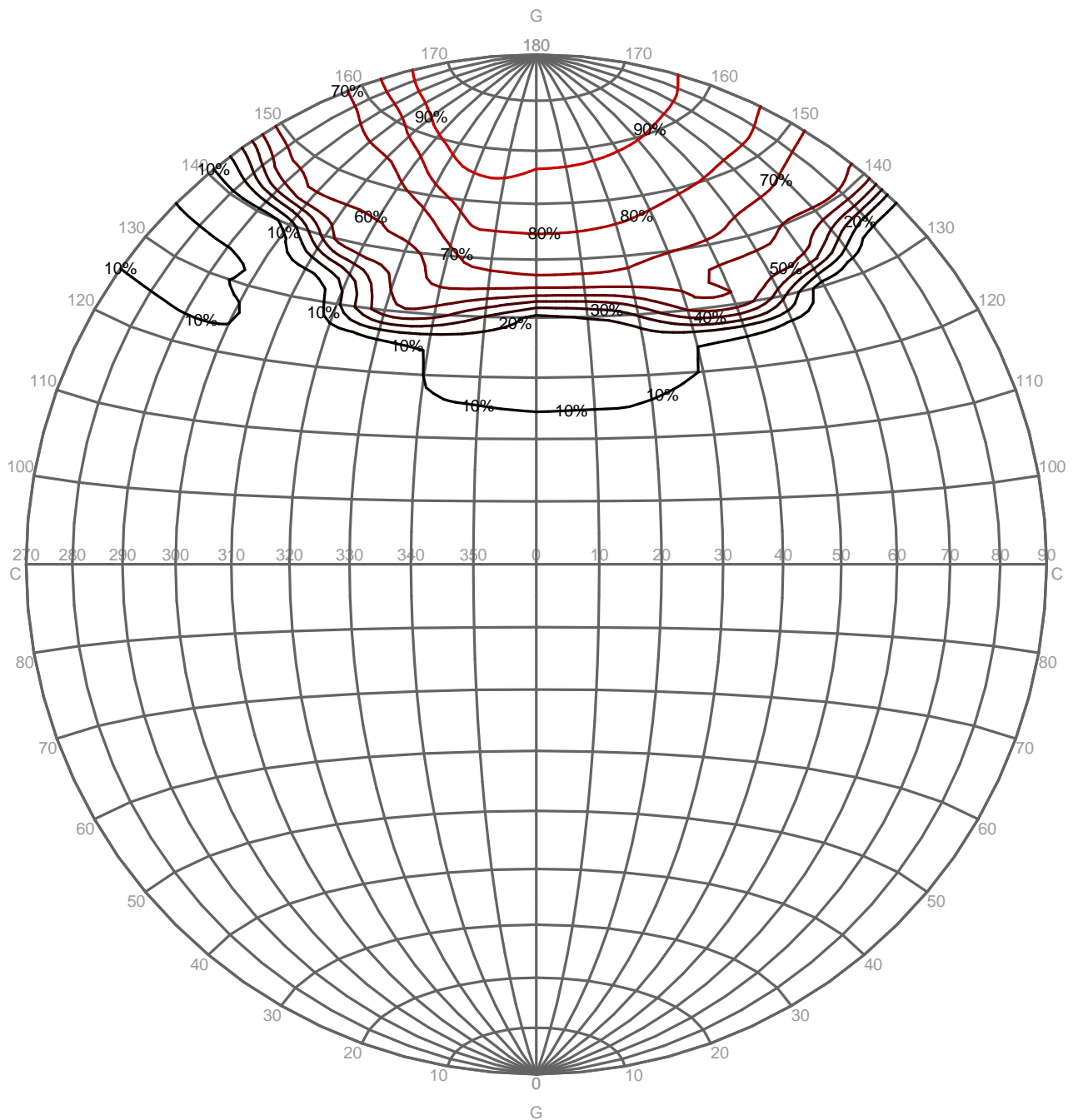
	C 260.00	C 270.00	C 280.00	C 290.00	C 300.00	C 310.00	C 320.00	C 330.00	C 340.00	C 350.00
G 0.0	0.00	0.00	0.00	0.00	0.00	0.00	0.00	0.00	0.00	0.00
G 5.0	0.00	0.00	0.00	0.00	0.00	0.00	0.00	0.00	0.00	0.00
G 10.0	0.00	0.00	0.00	0.00	0.00	0.00	0.00	0.00	0.00	0.00
G 15.0	0.00	0.00	0.00	0.00	0.00	0.00	0.00	0.00	0.00	0.00
G 20.0	0.00	0.00	0.00	0.00	0.00	0.00	0.00	0.00	0.00	0.00
G 25.0	0.00	0.00	0.00	0.00	0.00	0.00	0.00	0.00	0.00	0.00
G 30.0	0.00	0.00	0.00	0.00	0.00	0.00	0.00	0.00	0.00	0.00
G 35.0	0.00	0.00	0.00	0.00	0.00	0.00	0.00	0.00	0.00	0.00
G 40.0	0.00	0.00	0.00	0.00	0.00	0.00	0.00	0.00	0.00	0.00
G 45.0	0.00	0.00	0.00	0.00	0.00	0.00	0.00	0.00	0.00	0.00
G 50.0	0.00	0.00	0.00	0.00	0.00	0.00	0.00	0.00	0.00	0.00
G 55.0	0.00	0.00	0.00	0.00	0.00	0.00	0.00	0.00	0.00	0.00
G 60.0	0.00	0.00	0.00	0.00	0.00	0.00	0.00	0.00	0.00	0.00
G 65.0	0.00	0.00	0.00	0.00	0.00	0.00	0.00	0.00	0.00	0.00
G 70.0	0.00	0.00	0.00	0.00	0.00	0.00	0.00	0.00	0.00	0.00
G 75.0	0.00	0.00	0.00	0.00	0.00	0.00	0.00	0.00	0.00	0.00
G 80.0	0.00	0.00	0.00	0.00	0.00	0.00	0.00	0.00	0.00	0.00
G 85.0	0.00	0.00	0.00	0.00	0.00	0.00	0.00	0.00	0.00	0.00
G 90.0	0.00	0.00	0.00	0.00	0.00	0.00	0.00	0.00	0.00	0.00

Luminaire
 Code PX-0395-NEG
 Name Aplique led
Measur.
 Code PX-0395-NEG
 Name Aplique led

Luminaire Flux	96.36 lm	Luminaire Power	0.00 W	Efficacy	---	Efficiency	100.00%
Lamps Flux	96.36 lm	Maximum value	623.06 cd/klm	Position	C=270.00 G=175.00	CG	Asymmetrical

PERCENTAGE ISOCANDLES

Projection: Equal Area Tilting Angle:0°

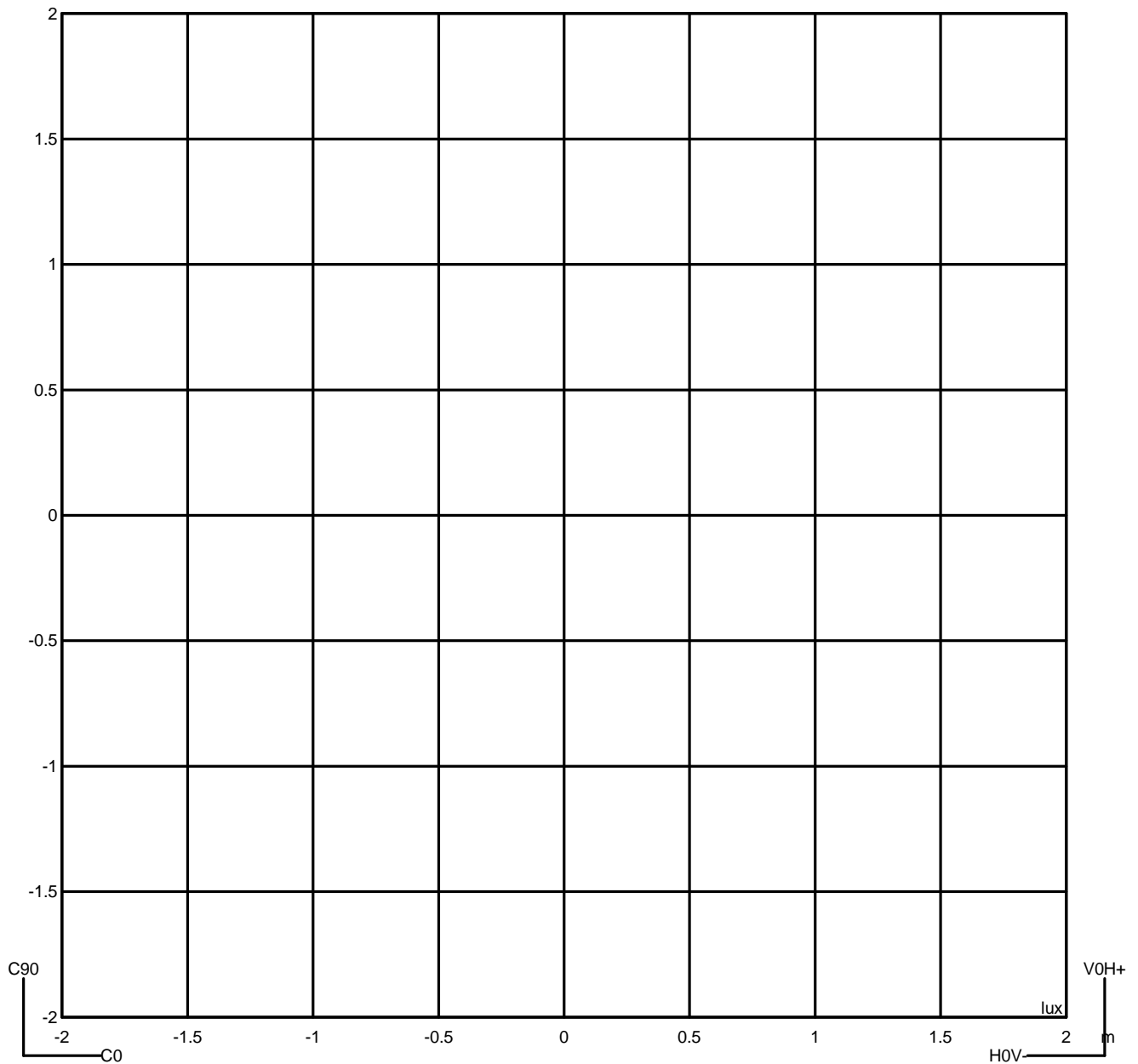


Luminaire
 Code PX-0395-NEG
 Name Aplique led
Measur.
 Code PX-0395-NEG
 Name Aplique led

Luminaire Flux	96.36 lm	Luminaire Power	0.00 W	Efficacy	---	Efficiency	100.00%
Lamps Flux	96.36 lm	Maximum value	623.06 cd/klm	Position	C=270.00 G=175.00	CG	Asymmetrical

Isolux (Floor)

Luminaire position X=0.00m Y=0.00m Z=2.50m



Luminaire
 Code PX-0395-NEG
 Name Aplique led
Measur.
 Code PX-0395-NEG
 Name Aplique led

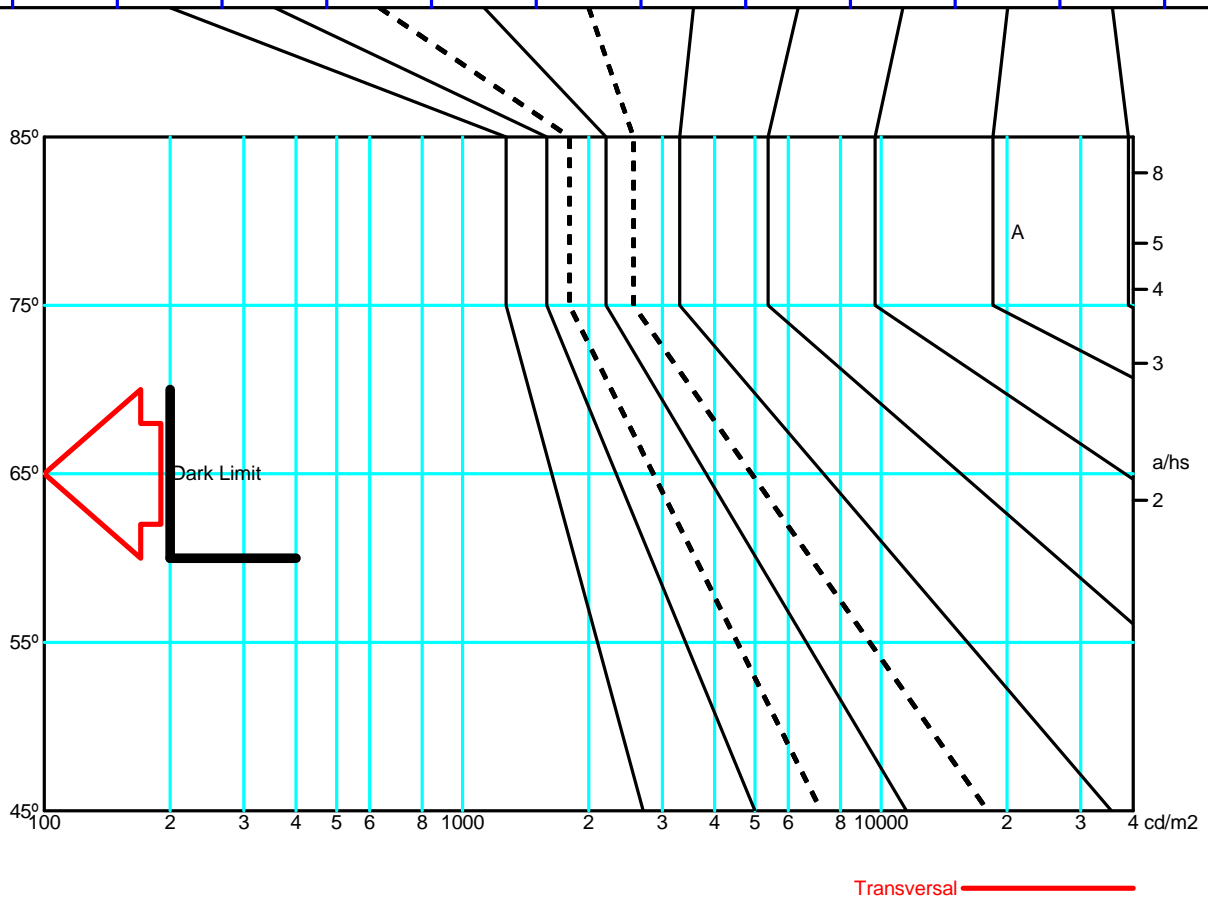
Luminaire Flux	96.36 lm	Luminaire Power	0.00 W	Efficacy	---	Efficiency	100.00%
Lamps Flux	96.36 lm	Maximum value	623.06 cd/klm	Position	C=270.00 G=175.00	CG	Asymmetrical

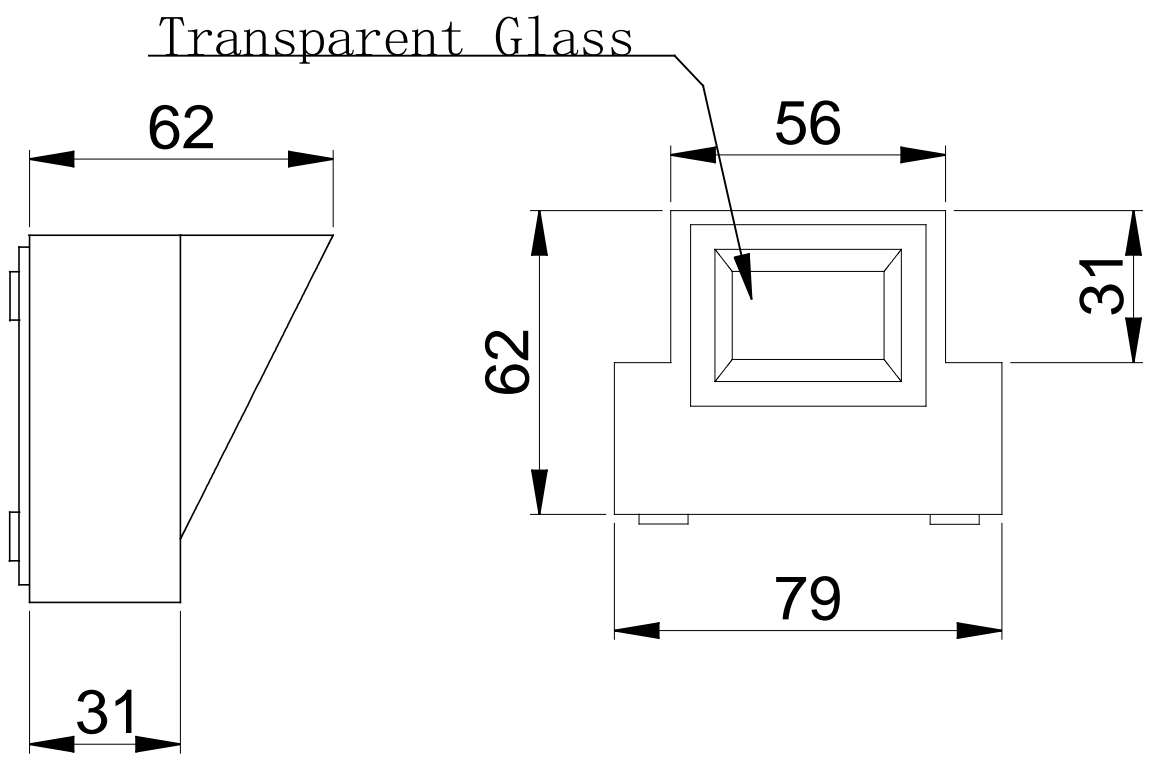
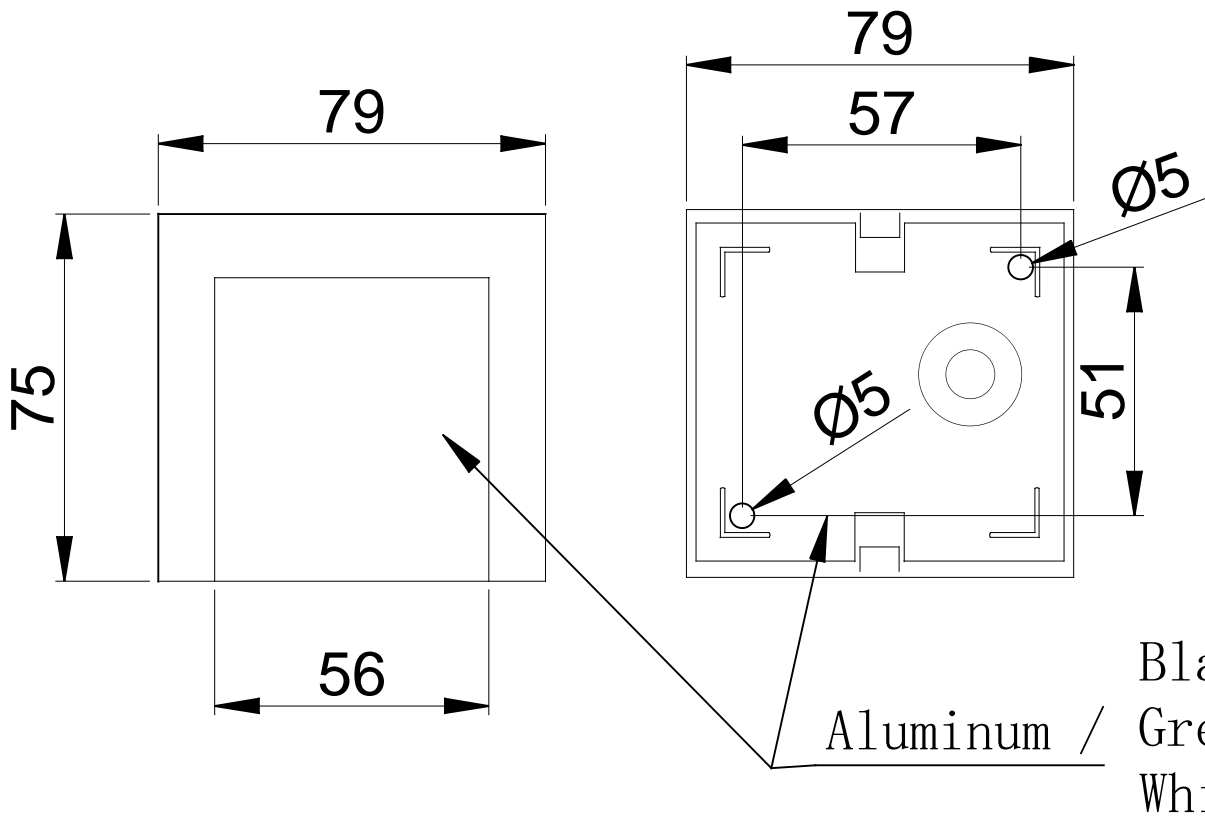
Average Luminance [cd/m²]

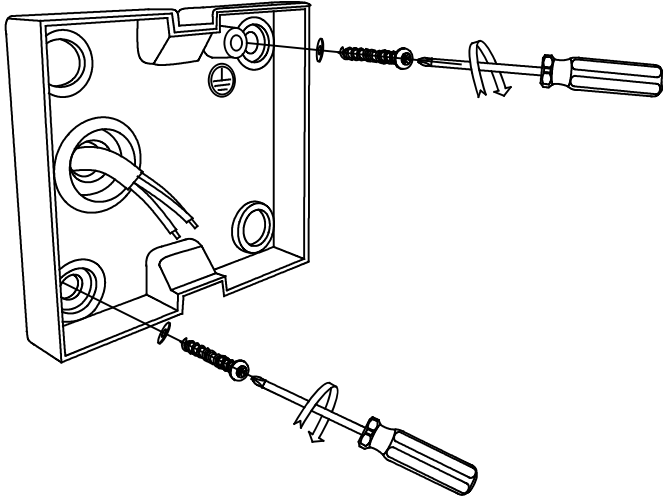
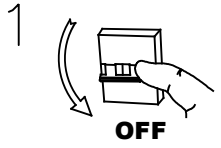
0.0° 45° 50° 55° 60° 65° 70° 75° 80° 85° ---

0 0 0 0 0 0 0 0 0 ---

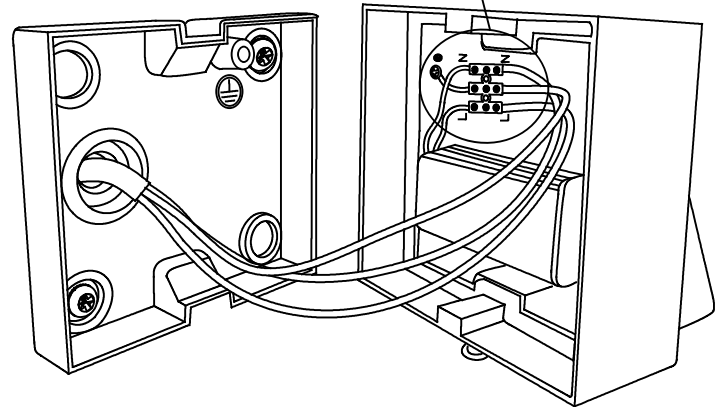
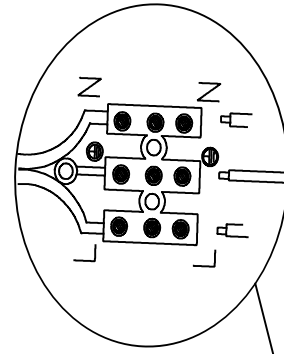
Flush mounted or longitudinal view												
		Illumination(lx)										
A	A	2000	1000	750	500		<300					1.15
B	1		2000	1500	1000	750	500	<300				1.5
C					2000		1000	500	<300			1.85
D	2						2000	1000	500	<300		2.2
E	3							2000	1000	500	<300	2.55



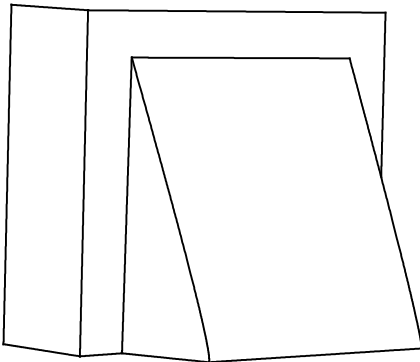
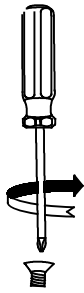




2



3



4

